

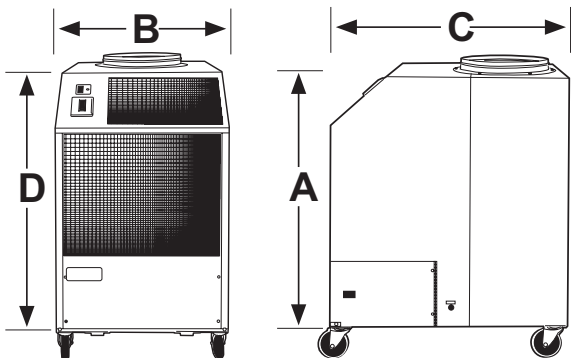
# OceanAir

## AirBoss

### Air-Cooled Portable Air Conditioners

MODEL: PAC	1011	1211	1811	2412	3612	3632	3634	6012	6032	6034
Cooling Capacity <sup>1</sup>	10,100	12,700	18,010	24,020	36,050	36,050	36,050	60,050	60,050	60,050
Voltage (V/Phase) at 60Hz	115/1			208-230/1	208-230/1	208-230/3	460/3	208-230/1	208-230/3	460/3
Cooling Amps <sup>6</sup>	9.0	12.0	15.5	12.3	22.5	14.0	7.3	40.0	24.0	12.4
Cooling Watts <sup>6</sup>	1030	1256	1590	2200	3360	3360	3360	5900	5900	5900
In Rush Current (Amps)	69.9	92.8	114.2	79	128.8	111.8	111.8	198	134.2	135.6
Fuse/Breaker (Amps) <sup>2</sup>	15	15	20	20	30	20	20	50	30	20
Plug Type	5-15P	5-15P	5-20P	6-20P	6-30P	L15-20P	L16-20P	6-50P	L15-30P	L16-20P
EER <sup>3</sup>	10.6	10.1	11.3	10.9	10.7	10.7	10.7	10.1	10.1	10.1
Compressor HP	3/4	1	1 1/2	2	3	3	3	5	5	5
Compressor RLA	7.4	9.3	11.4	8.3	17.9	11.4	5.7	28	20	8.2
Compressor LRA	42	58	65	49	88	77	39	169	123	59.6
Evap CFM <sup>4</sup>	300	400	600	810	1310	1310	1310	1950	1950	1950
Evap Motor HP	1/15	1/15	1/5	1/3	1/2	1/2	1/2	1	1	1
Evap Motor Watts	200	200	210	350	375	375	375	550	550	550
Condenser CFM	580	580	930	1010	1390	1390	1390	2200	2200	2200
Condenser Motor HP	1/8	1/8	1/3	1	3	3	3	1	1	1
Condenser Motor Watts	280	280	450	330	460	460	460	750	750	750
Condensate Pump Head	5 Gallon Condensate Tank - STANDARD (20 ft with optional condensate pump kit)							20 ft (Pump -STANDARD)		
Sound Level <sup>5</sup>	53	54	60	65	69			78		
R-22 Charge Oz.	24	29	36	40	40			77		
(A) Height with Casters (in.)	31 1/2		37 1/2			47			52 1/4	
(B) Width (in.)	20 1/8		24 1/4			28 1/4				
(C) Depth (in.)	22 5/8		24 3/4			31			39	
(D) Height w/o Casters (in.)	28 1/2		34 1/2			42 1/4			48 3/4	
Net Weight (lb.)	150	150	200	210	280			460	460	520
Shipping Weight (lb.)	170	170	230	240	310			500	500	560
Shipping Volume (cu. ft.)	15		21			29			43	

Note: Condenser inlet air plenum adds 13 inches to dimension "C"



#### Specifications subject to change without notice

- Cooling Capacity is total BTU/HR at 80°DB/67°WB at high fan speed
- Time delay fuses/circuitbreakers are recommended.
- EER determined with condenser discharge air ducted into another area on high fan speed.
- CFM with free discharge.
- Sound Pressure, dB at 5 feet, commercial configuration.
- Amps & Watts at 208 Volts

#### Ambient operating range 65° to 105°

May operate to 55° if equipped with optional Factory installed hot gas bypass

All units available in 220/50 cycle